

# autovictor

 *Keep on moving to the future.*

## PIATTAFORME AEREE

### JLG 1850



# 1850SJ

TELESCOPIC ULTRA BOOM

BOOM LIFT



## KEY SPECS

**Platform Height**  
185-ft 7-in / 56.56-m

**Horizontal Outreach**  
80-ft / 24.38-m

**Drive Speed**  
2.8 mph / 4.5 km/h

**Platform Capacity**  
1,000-lb / 454-kg - Restricted  
500-lb / 227-kg - Unrestricted

## KEY FEATURES

- Expansive work area of a maximum platform height of 185-ft and a telescoping jib that provides 2.9 million cubic feet of work area.
- Optimized maneuverability with full-time four-wheel drive to traverse over rough terrain.
- Enhanced Platform Controls - An LCD screen shows operators where they are in the work envelope, along with other useful information.
- Single sensor load sensing system features fewer parts and requires no weight to calibrate.

## ACCESSORIES & OPTIONS

- Accessory Packages:
  - SkyWelder® Package
  - SkyPower® Package
  - SkyGlazier® Package
- Ambient White Noise Alarm
- Bolt On Fall Arrest System
- Cold Package Plus<sup>1</sup>
- Cold Weather Package<sup>2</sup>
- Hostile Environment Package<sup>3</sup>
- Light Packages
- Platform Mesh, Bolt On
  - Mesh to Top Rail, Plastic or Aluminum
  - Mesh to Mid Rail, Plastic or Aluminum
- Platform Options
  - Fall Arrest, Rear Entry - 36 x 96-in
  - Drop Bar - 30 x 36-in, 36 x 96-in
  - Inward Self-Closing Swing Gate - 36 x 72-in, 36 x 96-in
  - Tri-Entry, Drop Bar - 36 x 72-in, 36 x 96-in
  - Tri-Entry, Swing Gate - 36 x 72-in, 36 x 96-in
- SkySense® Enhanced Detection System
- Soft Touch System

## STANDARD SPECIFICATIONS

### Performance

Platform Height	185-ft 7-in / 56.56-m
Horizontal Outreach	80-ft / 24.38-m
Swing	360 Degrees Continuous
Platform Capacity (Restricted)	1,000-lb / 454-kg
Platform Capacity (Unrestricted)	500-lb / 227-kg
Platform Rotator	173 Degrees Hydraulic
Jib Length (Retracted/Extended)	13-ft (3.96-m) / 20-ft (6.1-m)
Jib Range of Articulation	120 Degrees (+75, -45)
Weight*	59,900-lb / 27,170-kg
Max. Ground Bearing Pressure	119.6 psi / 8.41 kg/cm <sup>2</sup>
Drive Speed	2.8 mph / 4.5 km/h
Gradeability	40%
Tilt Cut Out	5 Degrees
Turning Radius (Inside):	
Axles Retracted/Extended	23-ft 4-in (7.12-m) / 7-ft 7-in (2.3-m)
Turning Radius (Outside):	
Axles Retracted/Extended	31-ft 3-in (9.52-m) / 21-ft 8-in (6.6-m)

### Engine

Diesel Engine - Deutz TCD 3.6L Tier IV F	99.8 hp / 74.4 kW
Fuel Tank Capacity	45 gal / 170 L

### Tires

Standard	445/50D710 Foam-filled
----------	------------------------

### Hydraulic System

Capacity	75.1 gal / 284.2 L
----------	--------------------

## STANDARD FEATURES

- 12V-DC Auxiliary Power
- 173 Degrees Hydraulic Platform Rotator
- 3 Selectable Steering Modes
- AC Receptacle in Platform
- All Motion Alarm
- Center Storage Tray
- ClearSky Smart Fleet™ Hardware (CS550)
- Control ADE® System
- Drive-Out Extendable Axles
- Engine Distress Warning/Shutdown—Selectable via JLG Analyzer
- Full-Time 4WD
- Glow Plugs
- Gull-Wing Steel Hoods
- Hourmeter
- LED Motion/Amber Beacon (CS550)
- Lifting/Tie Down Lugs
- Load Sensing System
- LCD Panel at Operator's Platform Control Console
- Proportional Controls
- Platform Console Machine Status Light Panel\*\*
- Rapid Replaceable Platform with Self-Closing Gate
- Selectable Capacity Envelope
- Swing-Out Engine Tray
- SkyGuard SkyLine™
- Tilt Light and Alarm
- USB-A and USB-C Charger

\*Certain Options or Country Standards Increase Weight.

\*\*Provides Indicator Lights at Platform Control Console for System Distress, Low Fuel, Degree Tilt Light and Foot Switch Status.

1. Includes extreme cold engine oil, fuel conditioner, engine block heater, battery blanket, glow plugs, hydraulic tank heater, and oversized footswitch.
2. Includes battery blanket, hydraulic tank heater, block heater.
3. Includes console cover, boom wipers and cylinder bellows.

Additional accessories and options available via JLG Aftermarket.

Shown with Optional Mesh to Top Rail

# 1850SJ

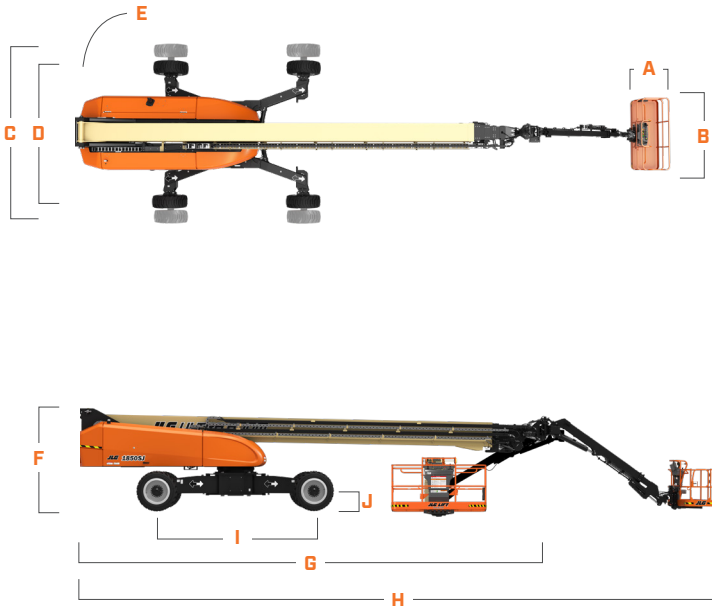
## TELESCOPIC ULTRA BOOM

BOOM LIFT



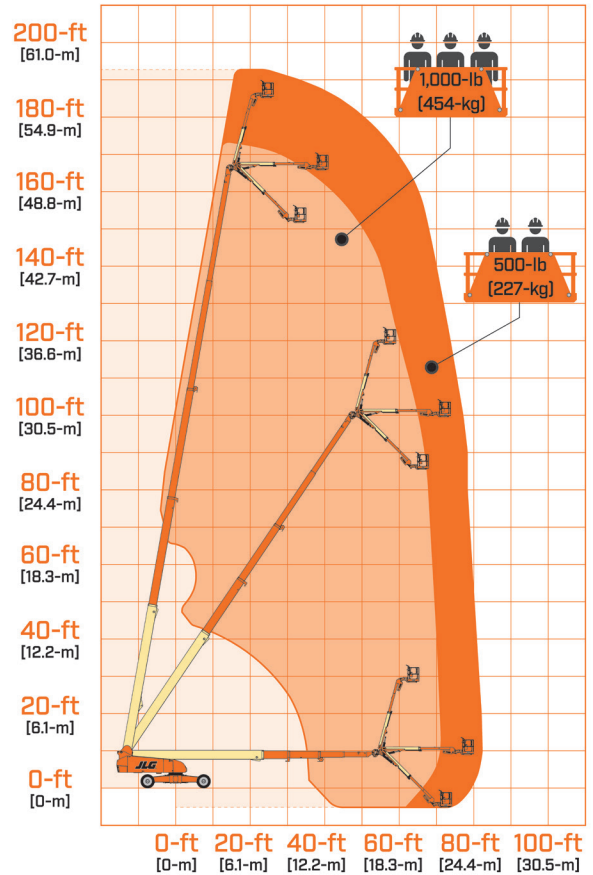
### DIMENSIONS

All dimensions are approximate



<b>A.</b> Platform Width	36-in / 91-cm
<b>B.</b> Platform Length	96-in / 2.44-m
<b>C.</b> Machine Width - Axles Extended	16-ft 6-in / 5-m
<b>D.</b> Machine Width - Axles Retracted	8-ft 2-in / 2.49-m
<b>E.</b> Tailswing	7-ft 7-in / 2.32-m
<b>F.</b> Machine Height	10-ft / 3.05-m
<b>G.</b> Machine Length - Stowed	47-ft 9.5-in / 14.57-m
<b>H.</b> Machine Length - Overall	63-ft 10-in / 19.45-m
<b>I.</b> Wheelbase	17-ft 1.5-in / 5.22-m
<b>J.</b> Ground Clearance	13.5-in / 34-cm - Axle 16.25-in / 41-cm - Chassis

### REACH DIAGRAM



We provide coverage for one (1) full year, and cover all specified major structural components for five (5) years. Due to continuous product improvements, we reserve the right to make specification and/or equipment changes without prior notification. This machine meets or exceeds applicable ANSI and CSA requirements based on machine configuration as originally manufactured for intended applications. Please reference the serial number plate on the machine for additional information.



**JLG INDUSTRIES, INC.**  
Toll-free US 877-JLG-LIFT  
[JLG.com](http://JLG.com)

An Oshkosh Corporation Business

# autovictor

 Keep on moving to the future.

*JLG 1850*



AUTOVICTOR s.r.l.

Via Galvani 11/13

28060 San Pietro Mosezzo - Novara

Tel. +39 0321 35000

[info@autovictor.it](mailto:info@autovictor.it)

[www.autovictor.it](http://www.autovictor.it)